



IMPORTANT

1. Always include complete heater model and serial number so that any specification change can be considered for parts shipment. It can save time and expense.
2. Specifications are subject to change without notice.
3. We reserve the right to substitute functional replacements.
4. Order either by Kit or Component Part No.

Replacement Parts

Applies to:

RDF Series Direct-Fired Makeup Air Heater



INDEX

- A**
 Actuator 12
 Amplifier 14
- B**
 Bearing 20
 Belt 20
 Belt Tension 20
 Blower and Motor Mounting 19
 Blower Bearings 20
 Blower Shaft 20
 Blower Speed Adjustment 20
 Diagnostic Circuit Analyzer Board 4
 Bulb 4
 Burners for RDF manufactured prior to Series 3 16
 Burners for RDF Series 3 16
- C**
 Cabinet Parts 28
 Holding Coils for IEC Starters 11
 Contactor 4, 7
 Air Controller 12
 Control Locations 3
 Crank Arm 17
 Roof Curb Packages 31
- D**
 Damper Rods 18, 19
 Dampers and Controls 17
 Dampers and Controls for RDF Systems prior to Series 3 18
 Dampers in RDF Series 3 17

- Date of Manufacture 2
 Disconnect Switch 6
 Drives 20
- E**
 Electrical Box 3
- F**
 Filters 29, 30
 Filter Sections 29
 Firestat 4
 Flame Probe 15
 Flame Rod Wire Assembly 15
 Fuse 4, 5
- G**
 Gas Train/ Manifold 3
- H**
 Hinge 28
 Hood 29
- I**
 Ignition Conversion Kit 15
 Ignition Module 15
 Spark Ignition System 15
 Hot Surface Ignitor 15
 Ignitor Wire Assembly 15
- L**
 Light w/red lens 6
 Limit 4
- M**
 Mixing Tube 14
 Modulating Gas Controls 14

- Damper Motors 17
 Motors 7, 10
- O**
 Convenience Outlet Receptacle 4
 Outside Air Inlet Hood 29
- P**
 Pilot Assembly 15
 Pilot Regulator 12
 Pilot Valve 12
 Potentiometer 4, 6, 17
 Air Pressure Switch Kit 4
 Dirty Filter Pressure Switch 4
 High Air Pressure Switch 4
 High Gas Pressure Switch 12
 Low Air Pressure Switch 4
 Low Gas Pressure Switch 12
 Null Pressure Switch 4
 Pulley 21
- R**
 Rating Plate 2
 REFERENCES 1
 Regulator 12
 Relay 4, 15
 Remote Console 5
- S**
 Insect Screen 4
 Flame Sensor 15
 Photohelic Pressure Sensor 4, 17
 Sensor 16
 Temperature Sensor 14

- Serial No. 2
 Blower Sheave 20
 Motor Sheave 20
 Signal Conditioner 14, 17
 Spark Generator 4
 Spark Plug 15
 Spring 12
 Starter 7
 NEMA Starters 11
 DPDT Switch 6
 DPDT System Switch 4
 SPDT Switch 4
- T**
 Temperature Selector 6, 14
 Terminal Block 4
 Thermostat 14
 Timer Board 15
 Transformer 4, 5
 Tubing 4
- U**
 Ultraviolet Detector 15
- V**
 Valve 12
 Vent Limiter 12

See your Factory Distributor for Forms listed below

Additional Forms

Subject.....	Form
Installation, Model RDF	I-RDF
Operation/Maintenance/Service, Model RDF	O-ADF/DV/RDF
Installation, Roof Curb Installation Instructions	I-OPT-C
Parts, Gas Conversion	CP-GC
Parts, Serial No., Gas Valves and Maxitrol Gas Controls.....	P-VALVES
Instruction, Conversion to Hot Surface Ignition	CP-RDF-IGN

Burners for RDF Series 3 (manufactured beginning 9/03)

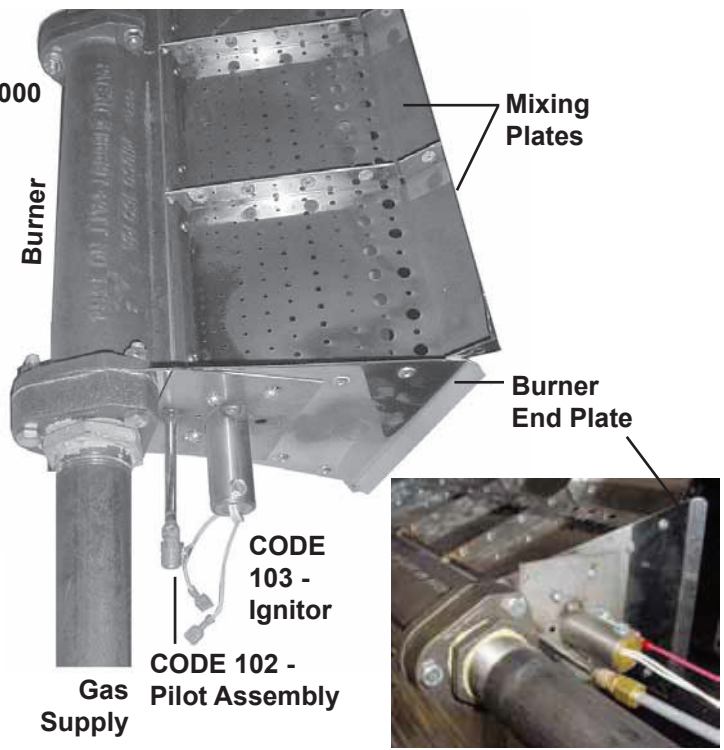
RDF Series 3 systems use Midco HMA-700 Series Burners. The Burner P/N listed below includes the burner, the mixing plates, and the end plate. 1750-3000 MBH (42-60") burners also includes CODE 119.

CODE 118 - Model RDF Series 3 BURNER			
Option	Length	MBH	P/N
BL1	6" Burner	250	203312
BL2	12" Burner	500	203313
BL3	18" Burner	750	203314
BL4	24" Burner	1,000	203315
BL5	30" Burner	1,250	203316
BL6	36" Burner	1,500	203317
BL7	42" Burner	1,750	203318
BL8		2,000	
BL9	48" Burner	2,250	203319
BL10	54" Burner	2,500	203320
BL11	60" Burner	2,750	203321
BL12		3,000	

CODE 119 - Second Sensor (at the end of the burner opposite the ignitor) on 42-60" Burners, Sensor and Bracket, P/N 210767

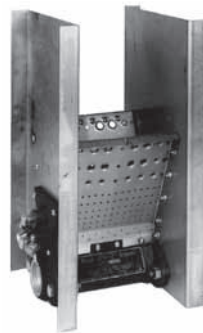


CODE 119A - Sensor only, P/N 210766



Burners for RDF Systems manufactured prior to Series 3 (9/03)

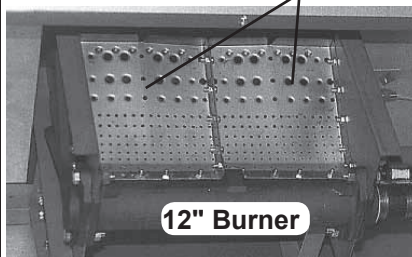
CODE	Burners (includes cast iron burner and stainless steel mixing plates; does not include Code 122A or 122B, graphite paste, or hardware)		
	Size	BTU	P/N
121	6" Burner	250,000	123405
	12" Burner	500,000	123665
	18" Burner	750,000	123684
	24" Burner	1,000,000	123696
	30" Burner	1,250,000	123700
	36" Burner	1,500,000	145140
	42" Burner	1,750,000	145159
	48" Burner	2,000,000	145162
	54" Burner	2,250,000	145169
	60" Burner	2,500,000	145172
121	66" Burner	2,750,000	145175
	72" Burner	3,000,000	145178



NOTE: Replacement burner DOES NOT include the burner end plate. Order end plate Code 122A for hot surface ignition or Code 122B for spark ignition.

121A	Replacement burner mixing plate only, 6" section, for all of the burners listed above. Refer to Operation/ Maintenance/Service Form O-ADF/DV/ RDF, Burner Cleaning, for instructions on burner service.	P/N 116104 , Maxon P/N 20580 Total quantity of plates per burner size, 6"-2; 12"-4"; 18"-6; 24"-8; 30"-10; 36"-12; 42"-14; 48"-16; 54"-18; 60"-20; 66"-22; 72"-24
122A	Burner End Plate only for HOT Surface Ignition	(1) P/N 95473 - For all sizes of heaters and burners
122B	Burner End Plate only for Spark Ignition	(1) P/N 102957 - For all sizes of heaters and burners

Installed Burner Assy 121A



CODE 122A - Burner End Plate showing the hot surface ignition system

Hot surface ignition is standard with units mfgd beginning 3/96; for ignition conversion kit see **CODE 105**, page 15.

Pilot and Ignitor Assembly, See CODE 101, page 15
Burner Inlet Flange, P/N 123449, (must be sealed with key graphite paste, P/N 146269)



CODE 122B - Burner End Plate for burner with spark ignition, P/N 102957

